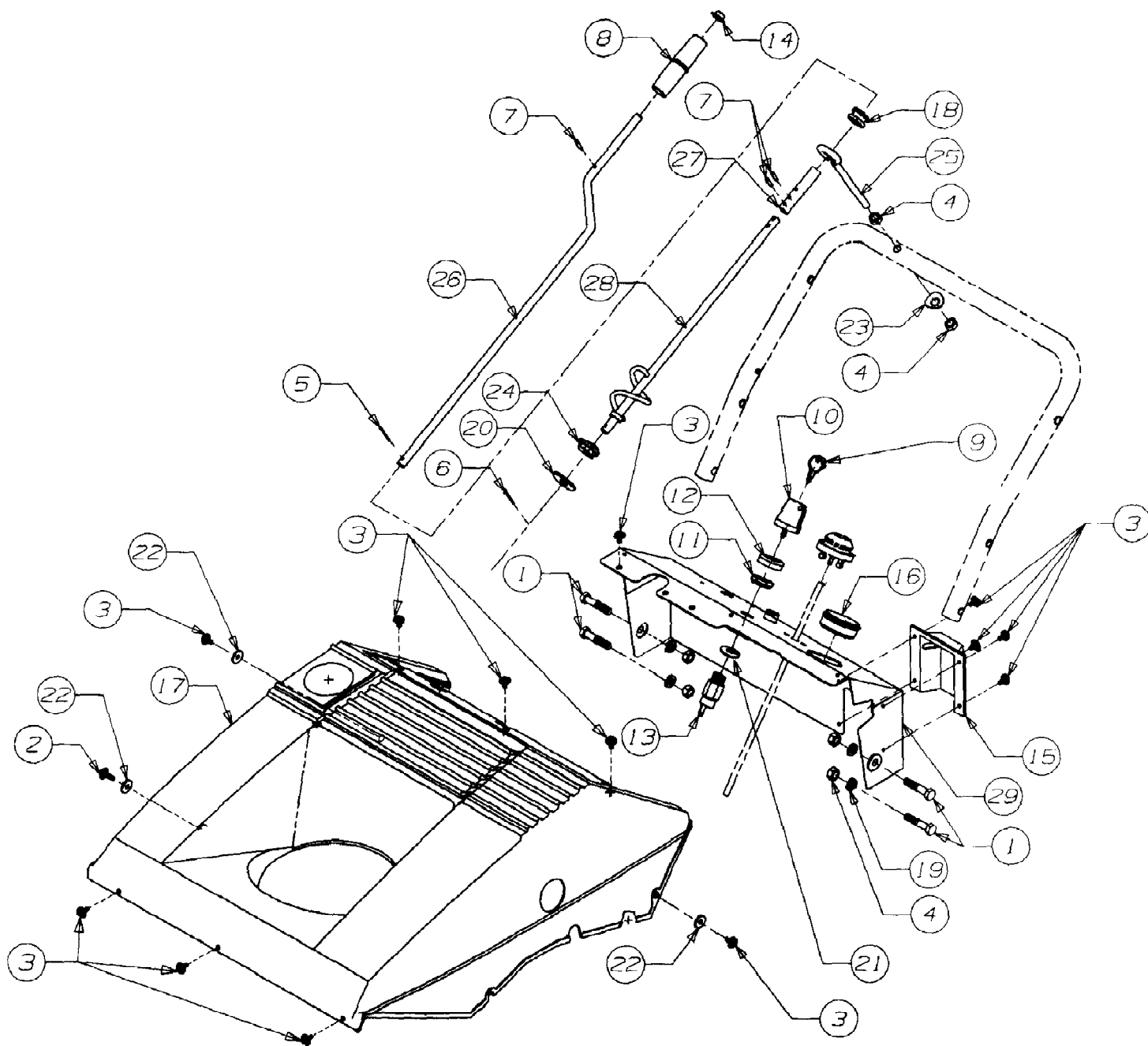


315-152-190 Snow Boss 40 (1995)
Chutes

Page 2 of 8

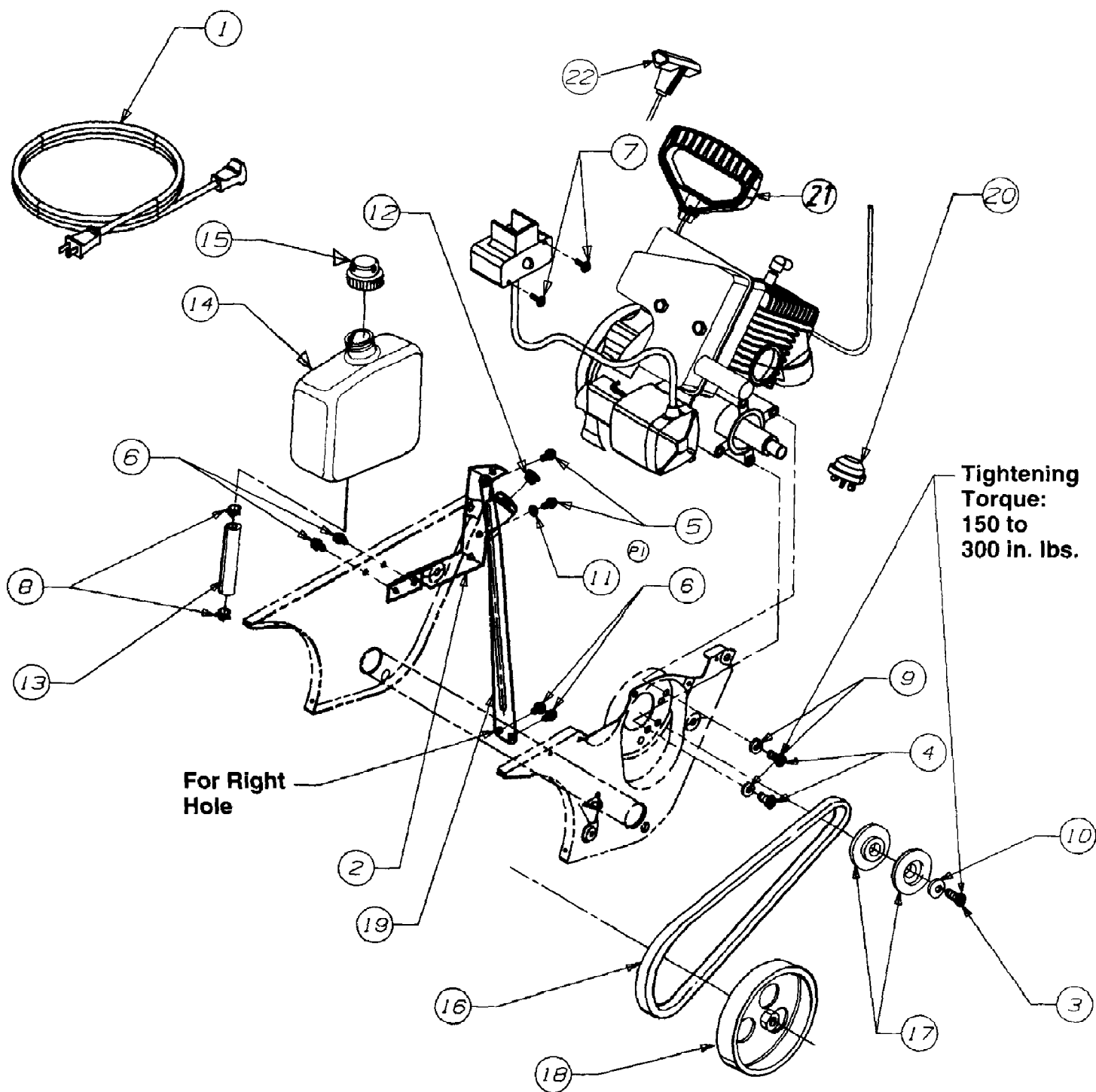
Ref #	Part Number	Qty	S/P/F	Description
1	710-0167	1	/P	Carriage Bolt
2	710-0276	1	/P	Carriage Bolt
3	710-0323	1	/P	Pan Head Screw
4	710-0451	1	/P	Carriage Bolt
5	710-0642	1	/P	Hex Washer Screw
6	710-1005	1	S	Hex Washer Screw
7	710-0773	1		Hex Washer Screw
8	710-0896	1	/P	Hex Washer Screw
9	710-3015	1	/P	Hex Cap Screw
10	711-0848A	1	S	Axle
11	712-0429	1	S	Hex Center Lock Nut
12	712-3010	1	S	Hex Nut
13	712-0116	1	S	Hex Lock Nut
14	712-3027	1	S	Hex Lock Flanged Nut
15	712-3027	1	S	Hex Lock Flanged Nut
16	720-0284	1	S	Knob
17	731-0851A	1	/P	Chute Keeper
18	731-0915B	1	S	Lower Chute
19	731-0921	1	S	Upper Chute
20	731-1033	1	/P	Shave Plate
21	732-0357A	1	S	Extension Spring
22	736-0108	1	S	Flat Washer
23	736-0119	1	S	Lock Washer
25	736-0176	1	S	Flat Washer
26	736-0159	1	S	Washer
27	736-0326	1	S	Flat Washer
28	736-0329	1	S	Lock Washer
30	741-0600	1	S	Ball Bearing
31	746-0910A	1	S	Cable-Clutch
32	748-0234	1	/P	Spacer
33	749-0796	1	S	Handle-Lower
34	756-0313	1	/P	Flat Idler
35	784-5174	1	S	Bearing Cup
36	784-5176	1		Cover-Belt
37	753-0712	1	S	Idler/Brake Bracket Service Kit; Replaces P/N 784-5180
38	753-0713	1		Blower Housing Service Kit; Replaces P/N 784-5325
39	784-5485	1	S	Auger Ass'y. Comp.
40	753-0613	1		Auger Rubber Replacement Kit
41	710-0352	1	/P	Hex Washer Screw
42	784-5720	1	S	Crank Bracket
?43	710-0451	1	/P	Cap Screw
44	736-0242	1	/P	Bell Washer
45	741-0475	1	S	Bushing
46	710-0191	1	/P	Hex Screw
	737-0133	1	S	Grease (Not Shown)
	734-1176	1		Wheel Ass'y (Not Shown)



315-152-190 Snow Boss 40 (1995)
Dash and Shroud

Page 4 of 8

Ref #	Part Number	Qty	S/P/F	Description
1	710-0442	4	S	Scr., Hex Cap 5/16-18 x 511
2	710-1003	1	/P	Scr., Hex B-Tapp #10-16 x .62 (152)
	710-1268	1	/P	Scr., Hex B-Tapp #10-16 x .38 (E162)
3	710-1268	13	/P	Scr., Hex B-Tapp 010-16 x .38
4	712-0267	6	S	Nut, Hex 5/16-18
5	714-0111	1	S	Pin, Cotter 3/32 Dia. x 1"
6	714-0507	1	S	Pin, Cotter 3/32
7	715-0138	3	S	Roll, Pin 1/8 O.D. x .63 Lg.
8	720-0201A	1	/P	Knob, Chute Crank
9	725-0201	1	S	Key, Ignition
10	725-1341B	1	/P	Key, Ignition w/o Logo
11	725-1346	1	S	Nut, Ignition Key
12	725-1347	1	/P	Cover, Ignition Switch
13	725-1425	1	S	Switch
14	726-0100	1	S	Cap, Push
15	731-1089	1	S	Choke Cover
16	731-1133	1	S	Insert Plug
17	731-1552	1		Shroud 4.5 HP (152)
	733-1551	1		Shroud 5.0 HP (E162)
18	735-0234	1		Grommet, Rubber
19	736-0119	4	S	Lock Washer 5/16" Dia.
20	736-0133	1	S	Washer, Flat 3/8 x 1.25
21	736-0225	1	/P	Lock Washer 5/8"
22	736-0400	3	S	Flat Washer .19 x .62
23	736-0451	1	S	Washer, Saddle .320
24	741-0403	1	/P	Hex Bushing
25	747-0697	1	/P	Eyebolt
26	747-0737	1	S	Upper Chute Crank
27	750-0785	1	S	Spacer
28	784-5497	1		Chute Crank
29	784-5572	1	S	Dash (152)
	684-0054	1	S	Dash (E162)

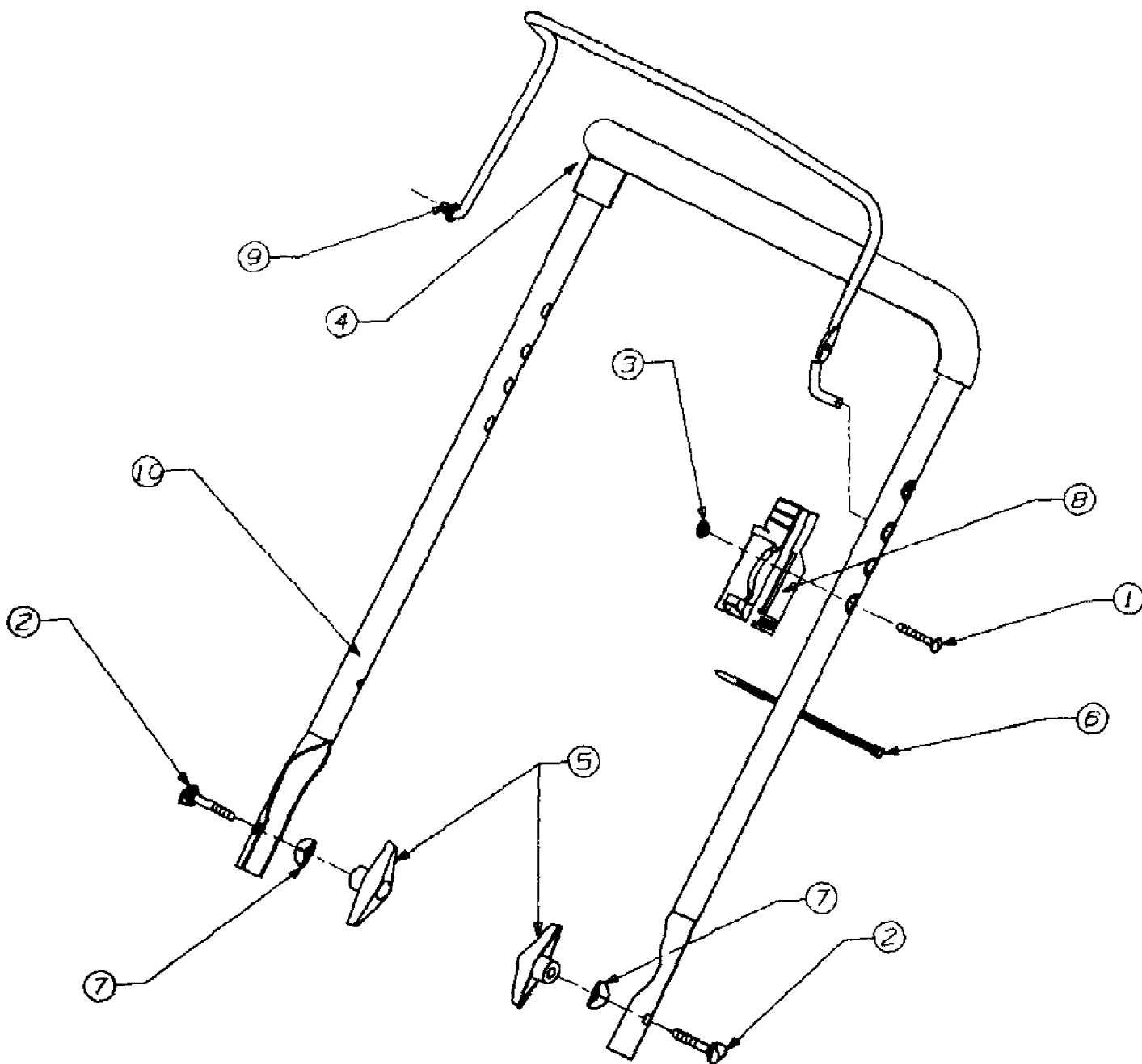


315-152-190 Snow Boss 40 (1995)
Gas Tank & Pulley Illustration

Page 6 of 8

Ref #	Part Number	Qty	S/P/F	Description
1	629-0236	1	/P	Cord, Ext. 120V (E162 Only)
2	705-5139	1		Gas Tank Support Brkt.
3	710-0157	1	/P	Scr., Hex Cap 5/16-24, .750 Gr. 5
4	710-0237	4	/P	Scr., Hex Cap 5/16-24, .620 Gr. 5
5	710-0599	2	/P	Scr., Hex Wash. 1/4-20, .500 Gr. 2
6	710-0892	4	S	Scr., Hex Wash. 1/4 x .62 AB Tapp
7	710-1003	2	/P	Scr., Hex B-Tapp Wash. #10-16 x .62 (E162 Only)
8	726-0205	2	/P	Hose Clamp
9	736-0119	4	S	L-Wash. 5/16 I.D.
10	736-0242	1	/P	Wash., Bell. .345 I.D. x .88 O.D. x .06
11	736-0329	1	S	Wash., Lock 1/4
12	741-0475	1	S	Bushing, Plastic
13	751-0535	1		Hose, Fuel Line 25 x 16"
14	751-0540	1	S	Tank, 2 Quart
15	751-0603	1	S	Fuel Cap
16	754-0101A	1	S	V - Belt
17	756-0416B	2	S	V - Pulley Half
18	756-0475	1	/P	Pulley
19	784-5603	1	S	Brace, Gas Tank
20	7512B1476	1	S	Primer
21	7519636	1	S	Handle, Mitten (E162)
22	7519630	1	S	Handle, Recoil (152)

315-152-190 Snow Boss 40 (1995)
Handle and Control Lever



315-152-190 Snow Boss 40 (1995)
Handle and Control Lever

Page 8 of 8

Ref #	Part Number	Qty	S/P/F	Description
1	710-0605	1	/P	Screw, Machine Oval Hd.
2	710-1174	2	/P	Bolt, Carriage 5/16-18 x 2"
3	712-0324	1	/P	Nut, Hex 1/4-20 Thd.
4	720-0226	1	S	Foam Grip Handle 22"
5	720-0284	2	S	Knob
6	725-0157	1	/P	Cable Tie
7	736-0451	2	S	Washer, Saddle
8	746-0875	1	S	Housing
9	747-0875	1		Lever, Control
10	749-0711A	1		Handle, Upper